

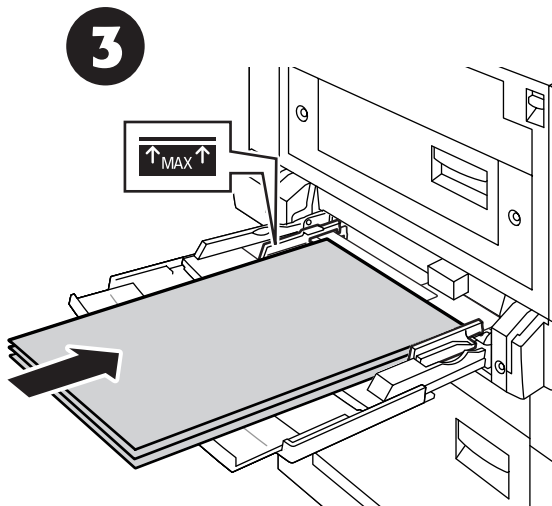
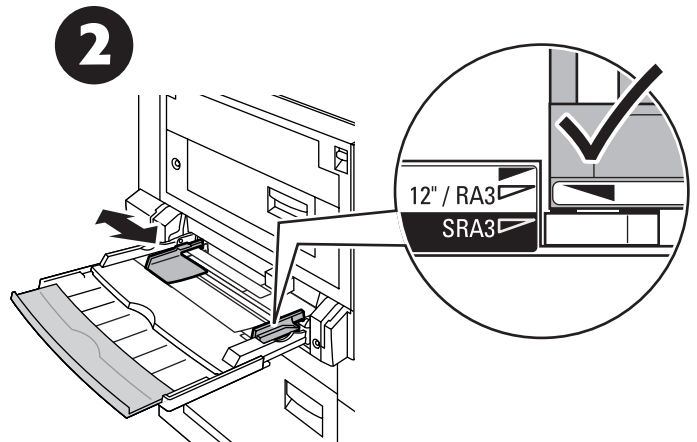
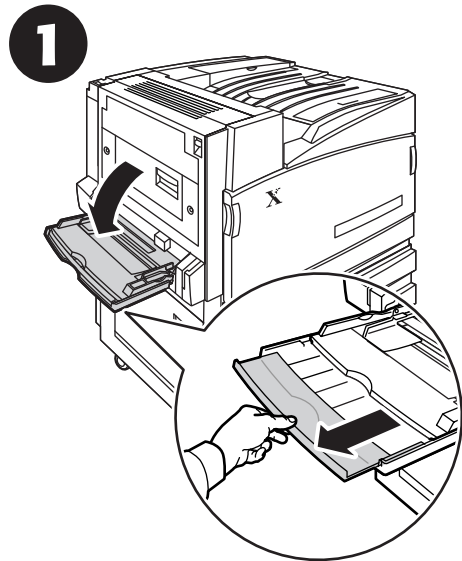
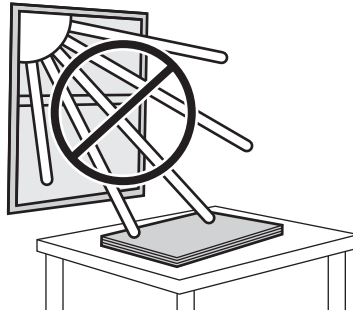


# PHASER<sup>®</sup> 7700

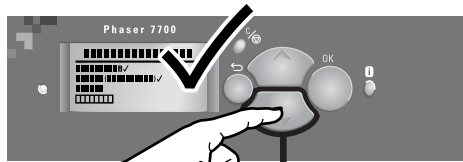
## COLOR PRINTER

NEWSPRINT PROOFING PAPER

50 LB., 74 G/M<sup>2</sup>



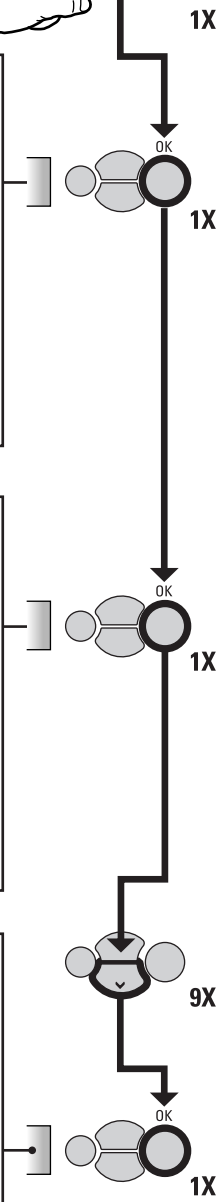
4



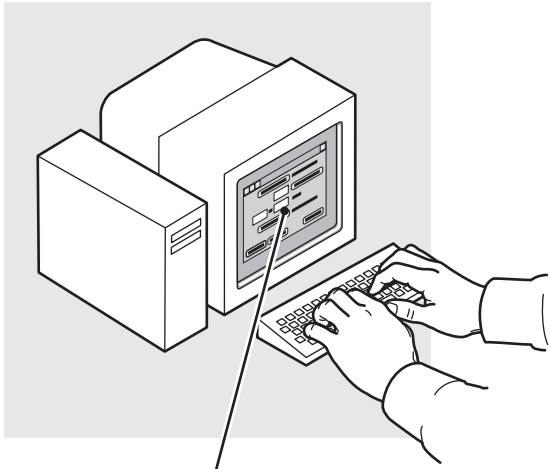
Change  
 Cambiar  
 Modifier  
 Ändern  
 Modifica  
 Alterar  
 Wijzigen  
 Ändra  
 変更  
 改变  
 改變  
 변경

Laser paper  
 Papel láser  
 Papier laser  
 Laserpapier  
 Carta per stampanti laser  
 Papel laser  
 Laserpapier  
 Laserpapier  
 Laserpapper  
 レーザ用紙  
 激光打印紙  
 雷射紙  
 레이저 용지

Tabloid Extra (12.0 x 18.0 in.)  
 Tabloide extra (12,0 x 18,0 pulg.)  
 Tabloid Extra (12,0 x 18,0 po)  
 Tabloid Extra (12 x 18 Zoll)  
 Tabloid Extra (12 x 18 poll.)  
 Tablóide Extra (12,0 x 18,0 pol.)  
 Tabloid Extra (12 x 18 in.)  
 Tabloid Extra (12 x 18 tum)  
 タブロイドエクストラ (12 x 18 インチ)  
 Tabloid Extra (12.0 x 18.0 英寸)  
 Tabloid Extra (12.0 x 18.0 英寸)  
 Tabloid Extra (12.0 x 18.0 인치)



5



**Multi-Purpose Tray**  
**Bandeja multiuso**  
**Bac multisupport**  
**Mehrzweckfach**  
**Cassetto multiuso**  
**Bandeja de Multiformatos**  
**Multifunctionele lade**  
**Flerfunktionsfack**  
 汎用トレイ  
 多用途紙盘  
 多用途紙匣  
 다용도 용지함  
**Многоцелевой лоток**